



# SEMI-PUBLIC CHARGING SOLUTIONS

**NEX**

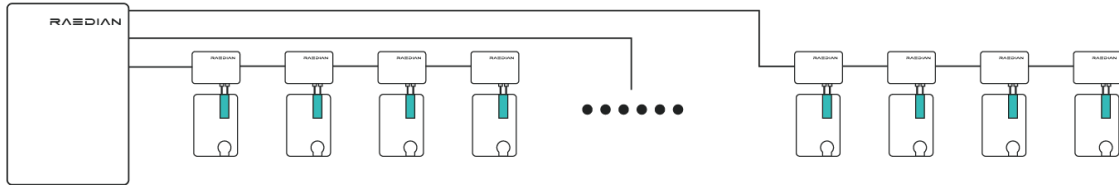
Up to 22kW

# Highlights



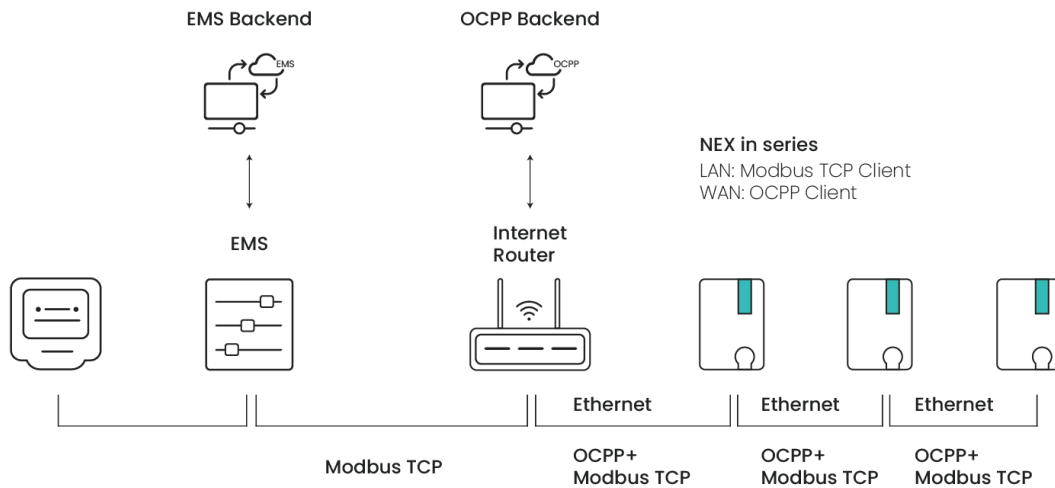
## Plug and Play Power Distribution System with Busbar

ECPC HUB with RCD, SPD, MID metering, and EMS, ECPC UNIT with upstream RCD. Maximize installation and hardware cost-saving.



## Daisy Chain Connectivity

Implement Ethernet connectivity for OCPP and Modbus TCP in series, minimize networking hardware cost and reduce commissioning effort.



## Turnkey Solution for Site Operation

### Dynamic local load management with EMS

Modbus TCP connected EMS to balance multiple charging sessions in parallel. Scale up anytime without grid capacity upgrade.

### Management mixed portfolio

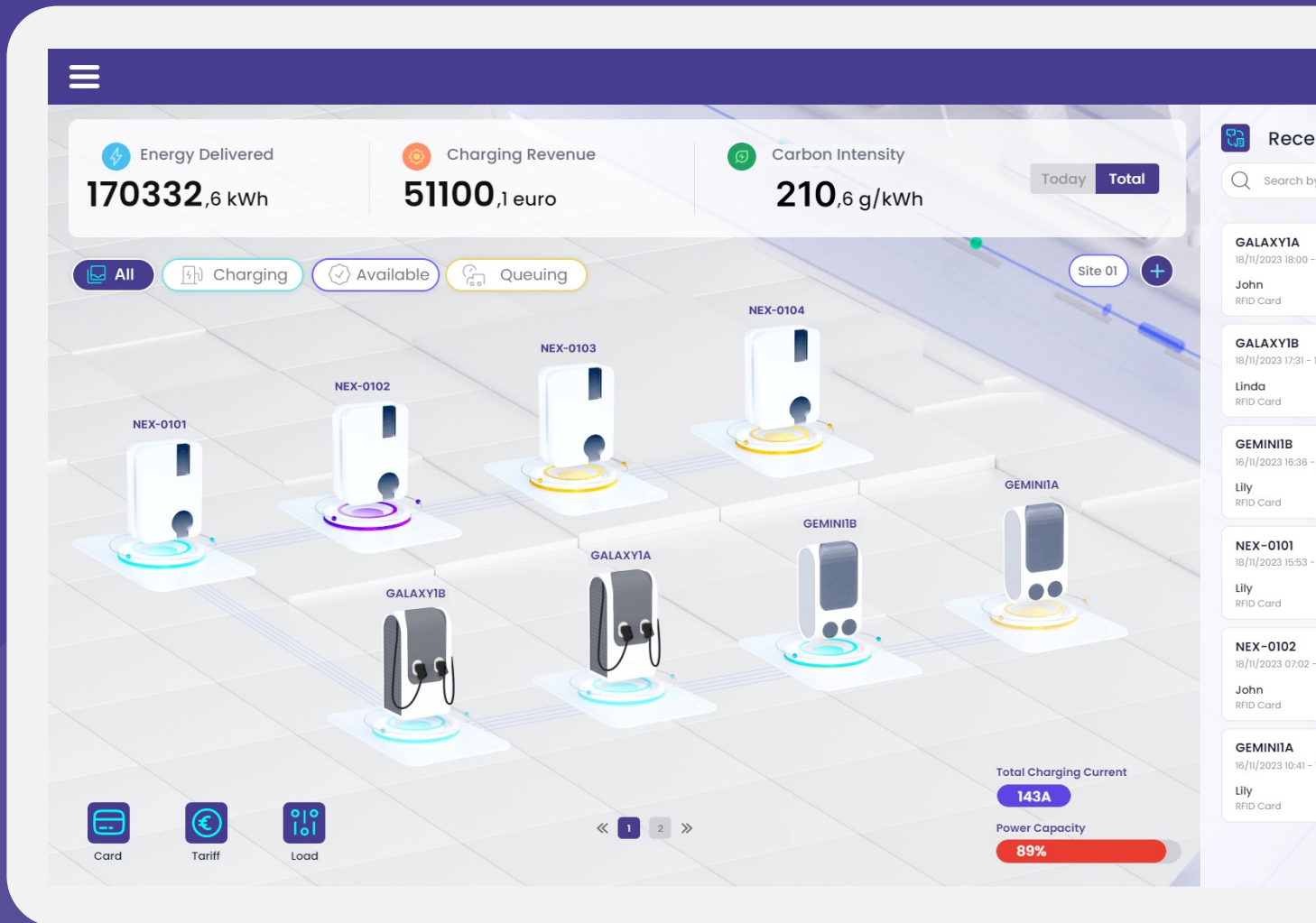
Managing AC and DC high power chargers in the same system in Nebula CMS and EMS.

### MID trustworthy billing

Fully integrated MID meter of  $\pm 1\%$  accuracy, certified by SGS. 100% calibrated and inspected during production.

# Nebula CMS

Zero barrier charging management system that allows you to run hassle-free charging sites operation.



Build your own charging sites and visualize your charging sites operation.

Create RFID card for your customer and manage access.

Setup tariff and differentiate by different customer group.

Invoices and receipts with kWh consumption and pricing, are automatically generated and sent by email.

Trustworthy charging consumption record based on integrated MID metering.

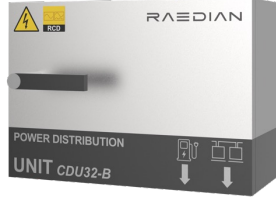
Flexible billing methods including paid-by-session and monthly billings.

# Accessories



ECPC HUB 80A/160A/250A

Type A RCD, Type I+II SPD, IP65,  
MID metering



ECPC UNIT 40A 1ph/3ph

Type A RCD/Type B RCD + Type II  
SPD, IP65



Charging cable 22kW/7kW

5m/7.5m, Type 2 to Type 2  
Comes with a carry bag



Pedestal with roof

For charging station mounting



Wall bracket

Safe and secure mounting on  
uneven surfaces



Operational RFID card

Customization available

## Feature & Function

Charging mode	AC Mode 3
Charging connector	IEC 62196 Type 2 cable, Type 2 socket, Type 2 socket with shutter
AC power output	Single phase up to 7.4kW. Three phase up to 22kW with downgrade compatibility

## Electrical Design

Power supply	Single phase: 230VAC $\pm$ 20%, 50/60Hz Three phase: 230/400VAC $\pm$ 20%, 50/60Hz TN/TT/IT
--------------	---

## General Design

Operating temperature	-30 to 55°C with derating mechanism
Operating altitude	3000m
Environmental rating	Indoor and outdoor, IP55, IK10
Dimension	297x210x110 (mm)
Weight	3.3kg - 6kg